
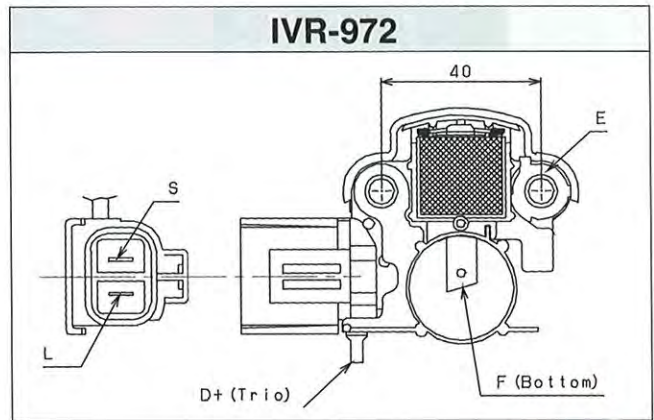
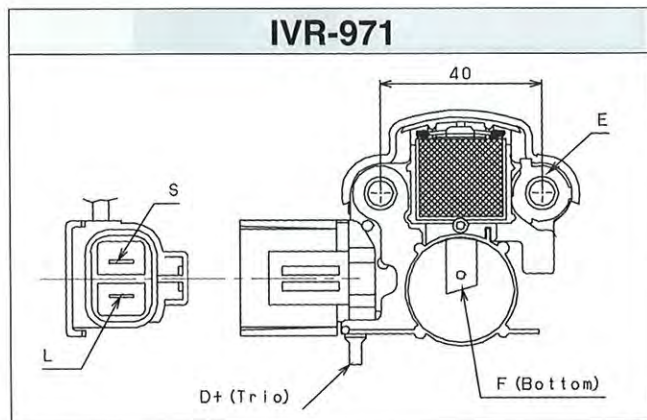


NEW PRODUCTS NP-180

Illustration	Ref. No.	Application	On Sale
 <p>IVR-5014 12V</p> <p>200PCS./CARTON CARTON SIZE 55×30×45cm (0.07425m³) G/W: 14.4kg</p>	27700-63030 (126000-0360) (126000-0460) 27700-72050 (126000-0500)	TOYOTA CAMRY SV10 (1S-LU) '82~'82 VISTA SV10 (1S-LU) '82~'82 CORONA YT140 (2Y-PU) '82~'89 MARK II/CHASER SX60 (2Y-PU) '83~'84 SX70/70Y (1S-U) '84~'88 HIACE/REGIUS YH51G/61G (3Y-U) '82~'87 YH62V (3Y-J) '82~'87 MASTERACE YR20G (2Y-U) '82~'85 LAND CRUISER BJ62V (3F) '85~'92 FJ62G (3F-E) '88~'90 FJ80G (3F-E) '90~'91 FJ75 (3F) '90~'92	DEC.'09
	ALTERNATOR 12V 55A 27060-63010 (100211-0680) 27060-72020 (100211-0731) 27060-63070 (100211-0931) 27060-72020 (100211-0731) 27060-72020 (100211-0731)		
	12V 65A 27060-72040 (100211-0761) 27060-61060-C (100211-5760) 27060-61061 (100211-6520)		
	12V 80A 27060-27030 (100211-0870) 27060-61090 (100211-5760) 27060-61091 (100211-5930)		

DRAWING



<http://www.newera.co.jp/>



The 41st TOKYO MOTOR SHOW 2009

DATA : Oct.24 (Sat.) - Nov.4 (Wed.)
HOURS : Week Days 10:00 - 18:00
Sat. Sun. Holiday 9:30 - 19:00
LOCATION : Makuhari Messe in Chiba City
WEB : <http://www.tokynomotorshow.com/en/index.html>

The theme for the 41th TOKYO MOTOR SHOW 2009 is

"Fun Driving for us, Eco Driving for Earth".

We send the highest product and technical information for the world. World premium 42 (22 four-wheeled vehicles, 18 two-wheeled vehicles, 2 carrozzeria), Japan premium 17 (10 four-wheeled vehicles, 7 two-wheeled vehicles) are exhibited at this show.

Under the influence of the world economy crisis, this year the exhibition of the overseas manufactures are decreased in three of ALPINA(Germany), Lotus(U.K.), Hyundai(Korea).



Pictures : The 40th Tokyo Motor Show (year 2007)

Photo courtesy : Japan Automobile Manufacturers Association, Inc. (JAMA)