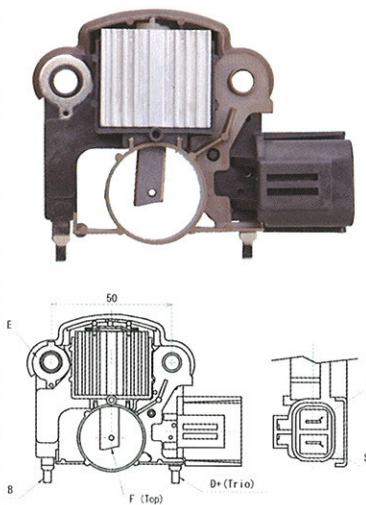
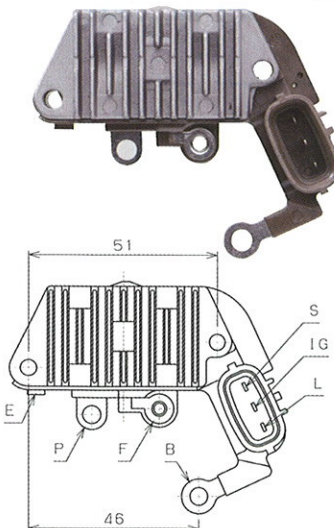


NEW PRODUCTS NP-175

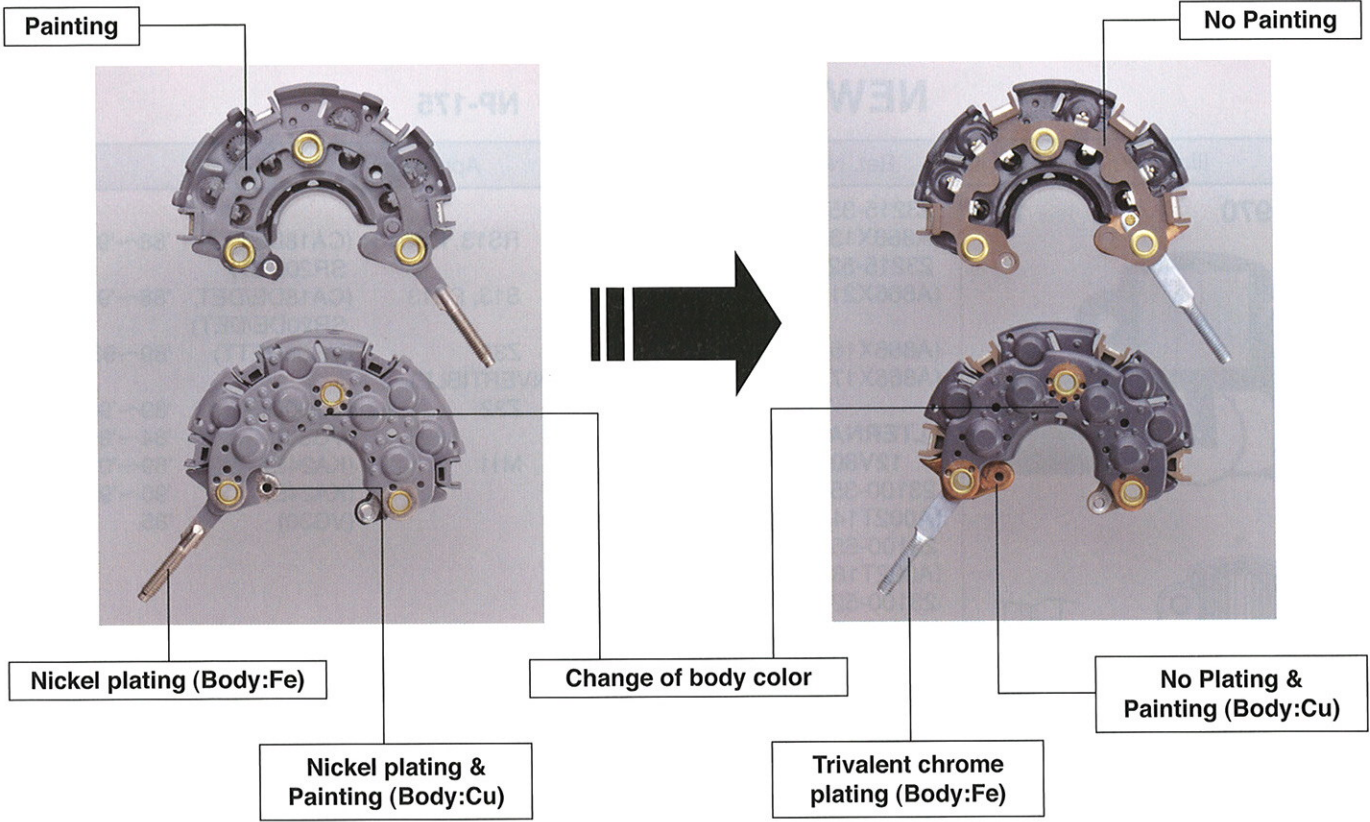
Illustration	Ref. No.	Application	On Sale
<p>IVR-970 12V</p>  <p>50PCS./CARTON CARTON SIZE 44×44×15cm (0.04002m³) G/W: 5.0kg</p>	<p>23215-35F10 (A866X13272) 23215-52F11 (A866X21472)</p> <p>(A866X15170) (A866X17470)</p> <p>ALTERNATOR 12V80A</p> <p>23100-35F10 (A002T14694) 23100-65E10 (A002T18792) 23100-52F10 (A002T27594) 23100-52F11 (A002T27594A)</p> <p>ALTERNATOR 12V90A</p> <p>23100-31P10 (A003T05192)</p> <p>(A002T02394) (A003T12691) (A002T13894) (A003T00491) (A002T48195)</p>	<p>NISSAN</p> <p>180SX RS13, RPS13 (CA18DET, SR20DET) '88~'93</p> <p>SILVIA S13, PS13 (CA18DE/DET, SR20DE/DET) '88~'93</p> <p>FAIRLADY Z Z32 (VG30DETT) '89~'93</p> <p>FAIRLADY Z (CONVERTIBLE) Z32 (VG30DE) '89~'93</p> <p>300ZX (VG30) '84~'89</p> <p>PRAIRIE M11 (KA24E) '89~'01</p> <p>STANZA (KA24E) '90~'92</p> <p>MAXIMA (VG30) '85</p>	<p>JUN.'09</p>
	<p>IVR-5012 12V</p>  <p>200PCS./CARTON CARTON SIZE 55×30×45cm (0.07425m³) G/W: 22.0kg</p>	<p>27700-78154-71 (126000-2400)</p> <p>ALTERNATOR 12V50A</p> <p>27060-78202-71 (101211-3730) 27060-78156-71 (101211-8580)</p>	

<http://www.newera.co.jp/>



INFORMATION

ALTERATION OF APPEARANCE, D-090



ISO 9001 Certified JQA-3170

New-Era has continued to acquire ISO 9001 certificate on April 18, 2009.

