

NEW CATALOGUE 2009



All **New-Era** Products included.

Voltage Regulators

Rectifiers

Starter Solenoids

Battery Relays

Relays

Contact Point Sets

Distributor Condensers

Switches

DC/AC Inverters

DC/DC Converters

Sub Battery Chargers

Others

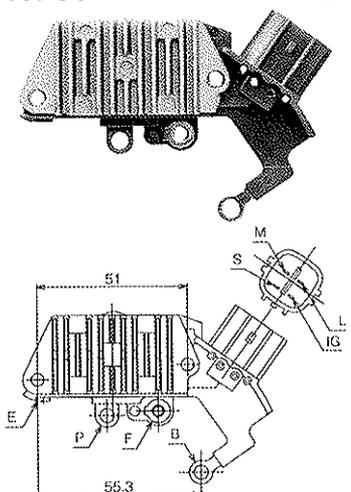
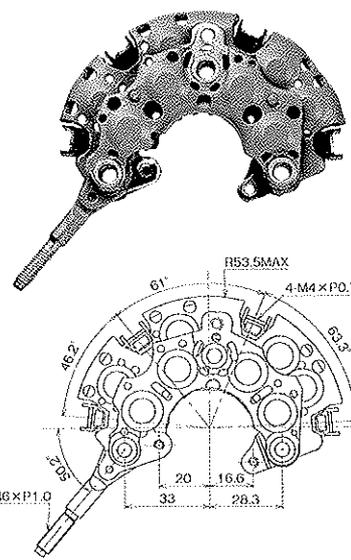
Please contact our **authorized agents** upon your necessity!!

<http://www.newera.co.jp/>

New-Era Co., Ltd.



NEW PRODUCTS NP-174

Illustration	Ref. No.	Application	On Sale
<p>IVR-5011 12V</p> 	<p>27700-31040 (126000-3720)</p> <p>ALTERNATOR 80A</p> <p>27060-31010 (104210-8040)</p>	<p>TOYOTA</p> <p>FORTUNER GGN 50,60 (1GR-FE)</p> <p>HILUX GGN 15,25 (1GR-FE)</p> <p>4 RUNNER (1GR-FE)</p> <p>FJ CRUISER GSJ 15 (1GR-FE)</p> <p>LAND CRUISER PRADO GRJ 12 (1GR-FE)</p> <p>TUNDRA(USA) (1GR-FE)</p>	<p>Now on sale</p>
<p>200PCS./CARTON CARTON SIZE 46×30×29cm (0.04002m³) G/W: 22.0kg</p>			
<p>D-094 12V</p> 	<p>27357-22200 (021580-6510)</p> <p>ALTERNATOR 80A</p> <p>27060-31010 (104210-8040)</p> <p>27060-22080 (102211-1990)</p> <p>27060-22090 (102211-2001)</p> <p>27060-22200 (102211-2351)</p> <p>27060-62240 (104210-8000)</p> <p>27060-30050 (104210-8020)</p> <p>27060-75280 (104210-8030)</p> <p>27060-23110 (104210-8050)</p> <p>27060-22230 (104210-8060)</p> <p>27060-28220 (104210-8070)</p> <p>27060-21130 (104210-8090)</p> <p>27060-75310 (104210-8110)</p> <p>27060-75360 (104210-8130)</p> <p>27060-40010 (104210-8150)</p> <p>31400-52D10 (104210-8140)</p>	<p>TOYOTA</p> <p>FORTUNER GGN 50,60 (1GR-FE)</p> <p>HILUX GGN 15,25 (1GR-FE)</p> <p> (5VZ-FE, '02~</p> <p> 1KD-FTV) '02~'04</p> <p> (3RZ-FE) '04~</p> <p> (2TR-FE)</p> <p>4 RUNNER (1GR-FE)</p> <p>FJ CRUISER GSJ 15 (1GR-FE)</p> <p>YARIS (1NZ-FE,</p> <p> 2NZ-FE)</p> <p>VITZ SCP10,NCP10 (2SZ-FE, '02~</p> <p> 2NZ-FE)</p> <p> KSP90,NCP90 (1NZ-FE, '05~</p> <p> 1KR-FE)</p> <p>SIENTA NCP80 (1NZ-FE) '03~</p> <p>RAUM NCZ20 (1NZ-FE) '03~</p> <p>COROLLA (2C,1NZ-FE,</p> <p> 1ZZ-FE, 3ZZ-FE,</p> <p> 2ZZ-GE)</p> <p>SPRINTER (2ZZ-GE) '00~</p> <p>WISH ZNE10,ANE10G (1AZ-FE/FSE, '03~</p> <p> ANE11W 1ZZ-FE)</p> <p>ISIS ZNM10 (1ZZ-FE) '04~</p> <p>LAND CRUISER PRADO GRJ 12 (1GR-FE)</p> <p> (3RZ-FE, 2TR-FE)</p> <p>CELICA ZZT231 (2ZZ-GE) '99~</p> <p>VOLTZ ZZE137 (2ZZ-GE) '02~'04</p> <p>WILL-VS ZZE128 (2ZZ-GE) '00~</p> <p>HIACE/HIACE S.B.V. (2KD-FTV)</p> <p> (1TR-FE) '03~</p> <p>HIACE/REGIUS (1TR-FE)</p> <p>DYNA/TOYOACE (2KD-FTV,</p> <p> 1TR-FE) '03~</p> <p>LAND CRUISER (5VZ-FE, '02~</p> <p> 2TR-FE)</p> <p> (3RZ-FE) '02~'04</p> <p>LAND CRUISER 100 (2UZ-FE)</p> <p>LEXUS LX470 (2UZ-FE)</p> <p>COASTER (2TR-FE)</p> <p>MATRIX(NAP)(USA) (2TR)</p> <p>TACOMA(USA) (1GR-FE, 2UZ-FE,</p> <p>TUNDRA(USA) 5VZ-FE)</p> <p>SUZUKI</p> <p>ESCUDO (H27A)</p>	<p>Now on sale</p>
<p>100PCS./CARTON CARTON SIZE 58×28×56cm (0.09094m³) G/W: 21.0kg</p>			