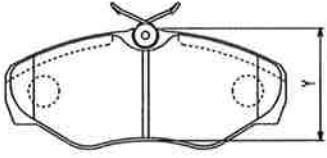
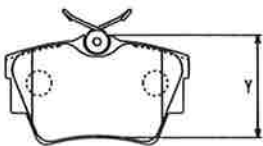
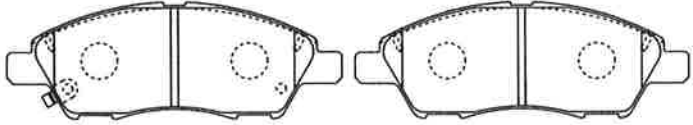
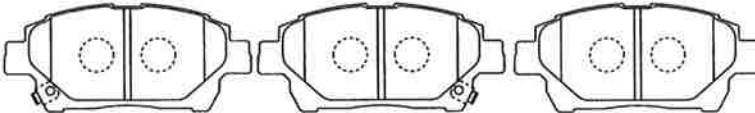
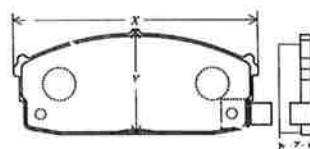
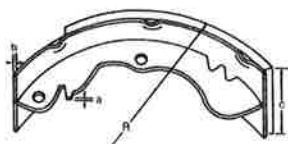


NEWS

No.09-E09
Sep, 2009

DISC PAD

NO.	APPLICATION	
<p>D1277 (41060-00QAE)</p>	<p>NISSAN PRIMASTAR '03 ~</p>  <p>X: 145.1 Y: 58.0 Z: 17.0</p>	<p>Front (AVAILABLE FROM Dec'09)</p>
<p>D1278 (44060-00QAF)</p>	<p>NISSAN PRIMASTAR '03 ~</p>  <p>X: 94.6 Y: 53.5 Z: 16.0</p>	<p>Rear (AVAILABLE FROM Dec'09)</p>
<p>D1288M (AY040-NS140)</p>	<p>NISSAN CUBE Z12 Nov. '08 ~</p>  <p>X: 138.7 Y: 43.0 Z: 13.5 X: 138.7 Y: 43.0 Z: 13.5</p>	<p>Front (AVAILABLE FROM Dec'09)</p>
<p>D2283M (04465-74020)</p>	<p>TOYOTA IQ KGJ10 Nov. '08 ~</p>  <p>X: 116.6 Y: 47.0 Z: 16.0 X: 116.6 Y: 47.0 Z: 16.0 X: 116.6 Y: 47.0 Z: 16.0</p>	<p>Front (AVAILABLE FROM Dec'09)</p>



 **MK KASHIYAMA CORP.**

CS Center, 1119 Otai, Saku, Nagano, 385-0009 Japan

TEL : ++81-267-65-7811 E-Mail : mki@mkg.co.jp

FAX : ++81-267-67-1833