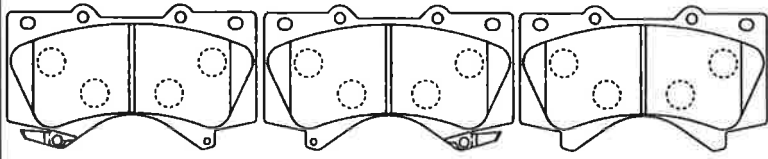
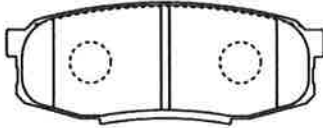


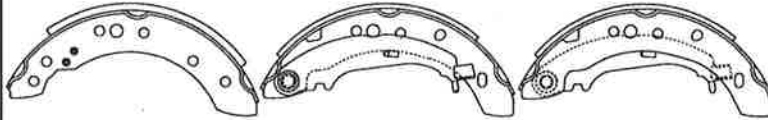
NEWS

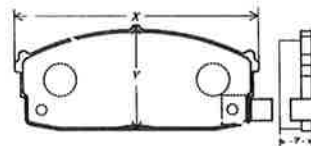
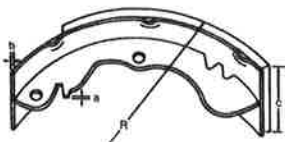
No.09-E08
Aug, 2009

DISC PAD

NO.	APPLICATION	
D2278M (04465-60280)	TOYOTA LAND CRUISER UZJ200 Aug. '07 ~  X: 143.8 Y: 56.0 Z: 17.5 X: 143.8 Y: 56.0 Z: 17.5 X: 143.8 Y: 56.0 Z: 17.5	Front (AVAILABLE FROM Nov'09) FMSI No.D1303
	TOYOTA LAND CRUISER UZJ200 Aug. '07 ~  X: 116.0 Y: 42.5 Z: 17.0	Rear (AVAILABLE FROM Nov'09) FMSI No.D1304

BRAKE SHOE

NO.	APPLICATION								
K6737 (MN186120)	MITSUBISHI COLT 1.5D Aug. '04 ~ 	Rear (AVAILABLE FROM Nov'09)							
	<table border="1"> <thead> <tr> <th>a</th> <th>b</th> <th>c</th> <th>R</th> </tr> </thead> <tbody> <tr> <td>3.2</td> <td>2</td> <td>35</td> <td>101.6</td> </tr> </tbody> </table>	a	b	c	R	3.2	2	35	101.6
a	b	c	R						
3.2	2	35	101.6						



MK KASHIYAMA CORP.

CS Center, 1119 Otai, Saku, Nagano, 385-0009 Japan

TEL : ++81-267-65-7811 E-Mail : mki@mkg.co.jp

FAX : ++81-267-67-1833