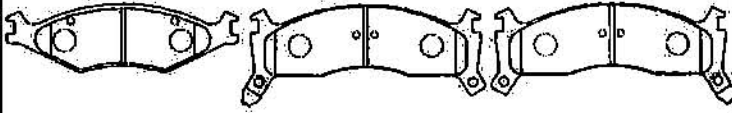
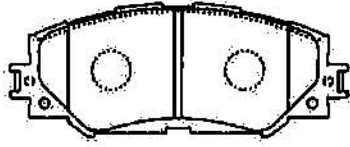


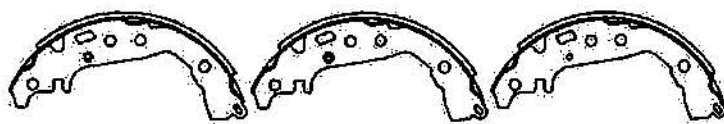
NEWS

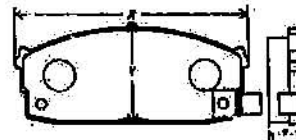
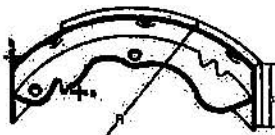
NO.08-E09
DEC, 2008

DISC PAD

NO.	APPLICATION	
D11178M (K0Y2-33-23Z) (0K011-33-23Z)	KIA SPORTAGE 2.0i May. '94 ~  X:165.0 Y:44.7 Z:17.5 X:171.1 Y:45.2 Z:15.5 X:171.1 Y:45.2 Z:15.5	Front (AVAILABLE FROM FEB'09) FMSI No. D670, D719
D2274 (04465-42160) (04465-12610)	TOYOTA COROLLA AXIO NZE141 Sep. '06 ~  X:139.0 Y:50.6 Z:17.0	Front (AVAILABLE FROM FEB'09) FMSI No.D1210

BRAKE SHOE

NO.	APPLICATION									
K2383 (04495-52060) (04495-52090)	TOYOTA VITZ KSP90 Jan. '05 ~ 	Rear (AVAILABLE FROM FEB'09)								
<table border="1"> <thead> <tr> <th>a</th> <th>b</th> <th>c</th> <th>R</th> </tr> </thead> <tbody> <tr> <td>2.9</td> <td>1.8</td> <td>30</td> <td>100</td> </tr> </tbody> </table>	a	b	c	R	2.9	1.8	30	100		
a	b	c	R							
2.9	1.8	30	100							



 **MK KASHIYAMA CORP.**