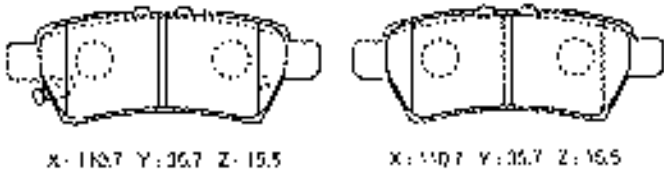
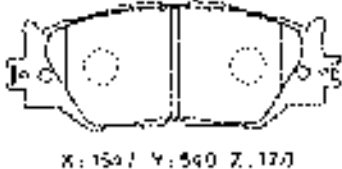



# NEWS

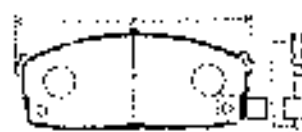
NO.08-E07  
JUL., 2008

## DISC PAD

NO.	APPLICATION	
<b>D1272M</b> ( 44063-EMJ26 ) ( 44063-EA993 )	NISSAN PATHFINDER R51 JAN. '05 ~ 	Rear (AVAILABLE FROM OCT'08) FMSI No.D1101
<b>D2277</b> ( 04465-53020-79 ) ( 04465-53040 )	LEXUS LS250 AUG. '05 ~ 	Front (AVAILABLE FROM OCT'08)

## BRAKE SHOE

NO.	APPLICATION									
<b>K9969</b> ( 53200-63J60 ) ( 53200-63J61 )	SUZUKI SWIFT ZC11S NOV. '04 ~ 	Rear (AVAILABLE FROM OCT'08)								
<table border="1"> <tr> <td>a</td> <td>b</td> <td>c</td> <td>P</td> </tr> <tr> <td>2.9</td> <td>1.6</td> <td>30</td> <td>100</td> </tr> </table>	a	b	c	P	2.9	1.6	30	100		
a	b	c	P							
2.9	1.6	30	100							



**MK KASHIYAMA CORP.**