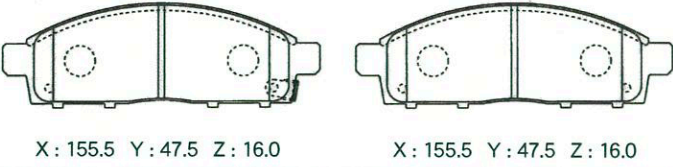
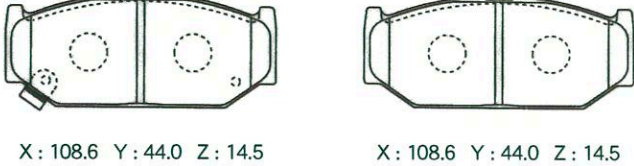


NEWS

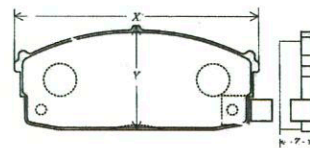
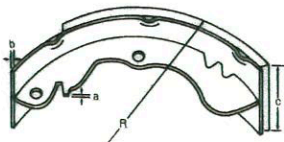
NO.07-E15
DEC, 2007

DISC PAD

NO.	APPLICATION	
D6128M (4605A198) (4605A284)	MITSUBISHI L200 P/UP Jan. '06~ 	Front (AVAILABLE FROM Mar'08)
	SUZUKI SWIFT ZC11S Nov. '04~ 	

BRAKE SHOE

NO.	APPLICATION							
K3425 (S1Y8-26-38Z) (MQ911392)	MAZDA BONGO BRAUNY VAN SKE6V '02 ~ 	Rear (AVAILABLE FROM Mar'08)						
	<table border="1"> <tr> <td>a</td> <td>b</td> <td>c</td> <td>R</td> </tr> <tr> <td>4</td> <td>2</td> <td>50</td> <td>135</td> </tr> </table>		a	b	c	R	4	2
a	b	c	R					
4	2	50	135					



 **MK KASHIYAMA CORP.**