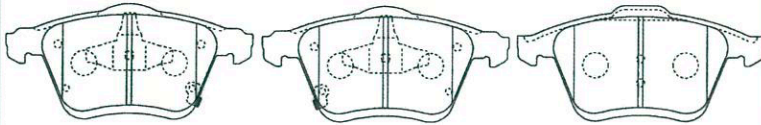
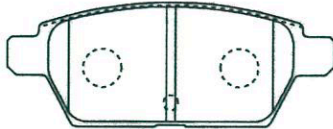


NEWS

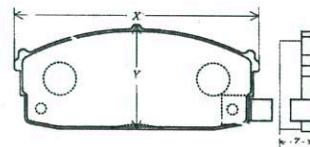
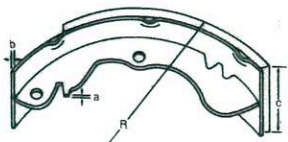
NO.07-E11
OCT, 2007

DISC PAD

NO.	APPLICATION	
D3138M (GPYA-33-23ZG) (GPYA-33-23ZD)	MAZDA ATENZA GG3S May. '05~  X: 155.3 Y: 69.3 Z: 17.5 X: 155.3 Y: 69.3 Z: 17.5 X: 155.3 Y: 69.3 Z: 17.5	Front (AVAILABLE FROM Feb'08) FMSI No.D1186
	MAZDA ATENZA GG3S May. '05~  X: 110.7 Y: 41.6 Z: 14.0	Rear (AVAILABLE FROM Feb'08)

BRAKE SHOE

NO.	APPLICATION								
K3426 (SOY8-26-38Z) (44060-HA027)	MAZDA BONGO BRAUNY VAN SKE6V '02~ 	Rear (AVAILABLE FROM Jan'08)							
	<table border="1"> <thead> <tr> <th>a</th> <th>b</th> <th>c</th> <th>R</th> </tr> </thead> <tbody> <tr> <td>4</td> <td>2</td> <td>55</td> <td>110</td> </tr> </tbody> </table>	a	b	c	R	4	2	55	110
a	b	c	R						
4	2	55	110						



MK KASHIYAMA CORP.