

GMB 2012 NEW YEAR'S PARTY



President Sakaguchi



Sake Barrel Opening ceremony by executives

GMB's New Year started in the traditional manner with a party held on 5th, January 2012. At the party, President Sakaguchi made his keynote speech to the employees. President Sakaguchi expressed the GMB 2012 policy objectives with the slogan

“Challenge”

- 1. Challenge : to lead and guide GMB Group Factories in technology and QA..***
- 2. Challenge : to aquire new technology.***
- 3. Challenge : to highlight eco and environmental matters across the GMB Group.***
- 4. Challenge : to develop and retain talented people.***

With these challenges in mind, all of us at GMB promise to advance technology and services to make a contribution to your success.

AVAILABLE NOW

WATER PUMP

PART NO

APPLICATION GUIDE

GENERAL MOTORS

GWG-103A

12585226
12591894
24439799
24446365
24467301
55352570



| | | |
|------------------|-----------------------|---------|
| L4 2198(134,F,6) | CHEVROLET CAVALIER | (02-05) |
| L4 2198(134,F) | CHEVROLET CLASSIC | (04-05) |
| L4 1998(122,P,X) | CHEVROLET COBALT | (05-09) |
| L4 2198(134,F,H) | CHEVROLET COBALT | (05-09) |
| L4 2400(145,B) | CHEVROLET COBALT | (06-08) |
| L4 1998(122,X) | CHEVROLET HHR | (08-09) |
| L4 2198(134,B,D) | CHEVROLET HHR | (06-09) |
| L4 2400(145,P,V) | CHEVROLET HHR | (06-09) |
| L4 2198(134,F) | CHEVROLET MALIBU | (04-08) |
| L4 2400(145,B,5) | CHEVROLET MALIBU | (08-09) |
| L4 2198(134,F) | OLDSMOBILE ALERO | (02-04) |
| L4 2198(134,F,H) | PONTIAC G5 | (07-09) |
| L4 2384(145,B) | PONTIAC G5 | (07-08) |
| L4 2384(145,B) | PONTIAC G5 | (06-08) |
| L4 2198(134,F) | PONTIAC GRAND AM | (02-05) |
| L4 1998(122,X) | PONTIAC SOLSTICE | (07-09) |
| L4 2384(145,B) | PONTIAC SOLSTICE | (06-09) |
| L4 2198(134,F) | PONTIAC SUNFIRE | (02-05) |
| L4 2400(145,B,5) | SATURN AURA | (07-09) |
| L4 2000(122,P) | SATURN ION | (04-07) |
| L4 2198(134,F) | SATURN ION | (03-04) |
| L4 2198(134,F) | SATURN ION-1 | (05) |
| L4 2198(134,F) | SATURN ION-2, ION-3 | (05-07) |
| L4 2384(145,B) | SATURN ION-3 | (06-07) |
| L4 2198(134,F) | SATURN L SERIES | (02-04) |
| L4 2198(134,F) | SATURN LS, LS-1, LW-1 | (00) |
| L4 2198(134,F) | SATURN LS SERIES | (01) |
| L4 2198(134,F) | SATURN LW SERIES | (01-03) |
| L4 1998(122,X) | SATURN SKY | (07-09) |
| L4 2384(145,B) | SATURN SKY | (07-09) |
| L4 2198(134,D) | SATURN VUE | (02-07) |
| L4 2384(145,P,Z) | SATURN VUE | (07-09) |

AVAILABLE NOW

WATER PUMP

PART NO

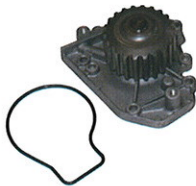
APPLICATION GUIDE

HONDA

GWHO-65A

19200P72013

19222PR4003



L4 1797(B18C)

L4 1595(B16A)

L4 1595(B16A)

ACURA INTEGRA

(96-01)

HONDA CIVIC

(99-00)

HONDA CIVIC DEL SOL

(96-97)

NISSAN

GWN-95A

210100P527

B10100P529



V6 2960(VG30DE)

INFINITI J30

(93-97)

BRITISH LEYLAND

GWBL-20A

PEB102240L

PET100760L



V6 2500

LAND ROVER


FREELANDER

(02-05)


WATER PUMP

PART NO APPLICATION GUIDE

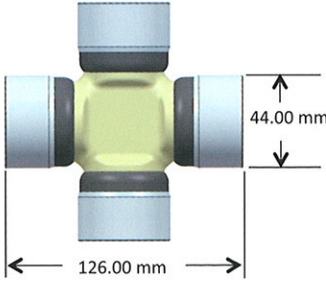
CHRYSLER

| | | | |
|---|--------------|---------------------|---------|
| GWCR-43A 4792968AD  | V6 3497(215) | 300 | (05-10) |
| | V6 3497(215) | PACIFICA | (05-06) |
| | V6 3952(241) | PACIFICA | (07-08) |
| | V6 3497(215) | SEBRING | (07-10) |
| | V6 3952(241) | TOWN & COUNTRY | (08-10) |
| | V6 3497(215) | DODGE AVENGER | (08-10) |
| | V6 3497(215) | DODGE CHALLENGER | (06-10) |
| | V6 3952(241) | DODGE GRAND CARAVAN | (08-10) |
| | V6 3497(215) | DODGE JOURNEY | (09-10) |
| | V6 3497(215) | DODGE MAGNUM | (05-08) |
| | V6 3952(241) | DODGE NITRO | (07-10) |

FORD

| | | | |
|---|----------------------|--------------------------------|---------|
| GW-116A 3L3Z8501CA 7L3Z8501A F1VY8507A XC2Z8501BA  | V8 4600(281,W) | E-150, E-250 (Exc 09) | (08-10) |
| | V8 5400(330,L) | E-150, E-250 | (06-10) |
| | V8 4600(281,W) | E-150, E-250 ECONOLINE | (03-05) |
| | V8 5400(330,L) | E-150, E-250 ECONOLINE | (03-05) |
| | V8 5400(330,L,M) | E-350 ECONOLINE | (03-05) |
| | V8 5400(330,L) | E-350, E-450 SUPER DUTY | (06-10) |
| | V8 5400(330,L,M) | E-450 ECONOLINE | (04-05) |
| | V8 5400(330,L) | EXCURSION | (03-05) |
| | V8 4600(281,W) | EXPEDITION | (03-04) |
| | V8 5400(330,L,5) | EXPEDITION (Exc 07, 08) | (03-09) |
| | V8 4600(281,W,6,8) | F-150 (Exc 07, 08, 09) | (98-10) |
| | V8 5400(330,L,M,Z,5) | F-150 | (98-06) |
| | V8 4600(281,W) | F-150 HERITAGE | (04) |
| | V8 5400(330,M,Z) | F-150 HERITAGE | (04) |
| | V8 5400(330,L,5) | F-250, F-350 SUPER DUTY | (03-10) |
| | V8 4600(281,H) | LINCOLN AVIATOR | (03-05) |
| | V8 5400(330,5) | LINCOLN MARK LT | (06) |
| | V8 5400(330,A,L,R,5) | LINCOLN NAVIGATOR (Exc 07, 08) | (98-09) |

UNIVERSAL JOINT

| | | |
|-----------------------------|-------|--|
| GUH-77 37410-1220 | Truck |  <p> Outside Snap Ring type Thickness of Snap Ring : 1.2 mm Lifetime Lubrication </p> |
|-----------------------------|-------|--|